

VE veleco

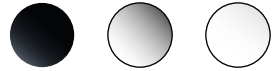
Luxury Medical Devices



CRISTAL



available colours:



Do you live in the area with uneven terrain, that only **CRISTAL** electric mobility scooter, a 3-wheeler with full suspension vehicle can tackle? **CRISTAL** from Veledo is an electric mobility scooter equipped with 1000 W motor, which can easily deal with any kind of road obstacle. Available in three luxurious colours: black, silver and white. It is well suited for all refined users.

*The scooter comes **assembled and ready to go!*** 

SPECIFICATIONS

OVERVIEW

Max user weight: 160 kg / 25.2 st
Scooter weight: 120 kg / 18.9 st
Hill climbing ability: 17°
Maximum range on single charge:
40-60 km / 24.9-37.3 mi
Speed of response: Low
Maximum speed: 8 mph / 12 km/h
Acceleration system: Right-hand
scooter throttle
Seat adjustment: Yes
Suspension: Full
Compliant with DVLA requirements:
Yes
Scooter class: Class-3
Vehicle autonomy: Level 0
Optimal air humidity for storage and
use: 30%
Working temperature of electronic
parts: -10 °C to +40 °C
Turning radius: 224 cm / 88.2"

MOTOR

Power: 1000 W
Voltage: 60 V

BATTERY

Type: Lead-Acid
Capacity: 20 Ah
Voltage: 60 V
Life cycle: 600 full charges
Charge time: ≈8 h

BRAKES

Front: Drum
Rear: Drum
Magnetic brake: No

WHEELS

Amount: 3
Type of tyres: Pneumatic tubeless
Size: 3.00-10"
Tyre pressure: 2.25 bar / 225 kPa / 32.5
PSI

LIGHTS

Low beam headlight: H51
High beam headlight: H51
Position lights: LED (integrated with
lamp)
Front and rear signal lights: LED (in-
tegrated with lamp)
Brake light: LED (integrated with
lamp)
Hazard lights: LED (integrated with
lamp)
Registration plate light: LED (integra-
ted with lamp)

FEATURES

Horn
Rearview mirrors
Steering wheel lock
Parking brake
Analogue display
USB port
Anti-tipping safety wheels



sales@veleco.pl



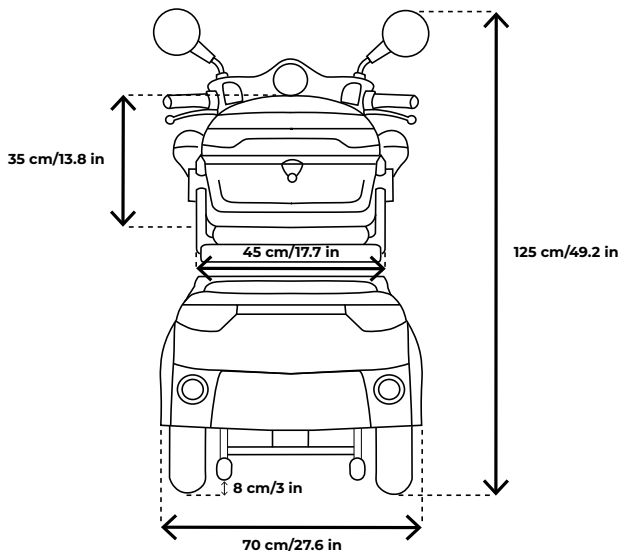
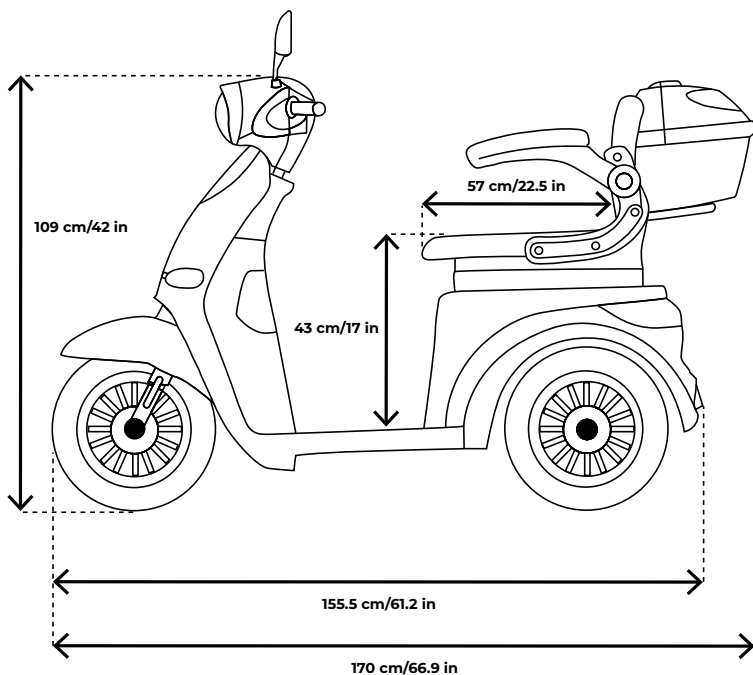
+48 34 35 80 44



veleco.eu

veleco
Luxury Medical Devices

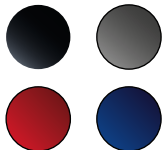
CRISTAL





DRACO

available colours:



Congratulations on finding the best electric mobility scooter with the most reliable batteries. Our **DRACO** model is the highest quality, top of the line mobility scooter, which won Quality International Award in 2020. Accelerated with the push of a button, this model was manufactured in mind with elders, young and everyone else who cannot operate a regular scooter acceleration system. Don't wait, order now and venture forth on a journey at full capacity.

The scooter comes **assembled and ready to go!** 

SPECIFICATIONS

OVERVIEW

Max user weight: 160 kg / 25.2 st
Scooter weight: 103 kg / 16.2 st (w/
Lead-Acid battery), 88 kg / 13.9 st (w/
Lithium-Ion battery)
Hill climbing ability: 17°
Maximum range on single charge: 45-
50 km / 28-31.1 mi
Speed of response: Low
Maximum speed: 8 mph / 12 km/h
Acceleration system: Push of a button
Seat adjustment: Yes
Suspension: Full
Compliant with DVLA requirements: Yes
Scooter class: Class-3
Vehicle autonomy: Level 0
Optimal air humidity for storage and
use: 30%
Working temperature of electronic
parts: -10 °C to +40 °C
Turning radius: 165 cm / 65"

MOTOR

Power: 800 W
Voltage: 48 V

BATTERY

Type: Lead-Acid (can be upgraded to
Lithium-Ion)
Capacity: 20 Ah
Voltage: 48 V
Life cycle: 600 full charges
Charge time: ≈8 h

BRAKES

Front: Drum
Rear: Drum
Magnetic brake: Yes

WHEELS

Amount: 3
Type of tyres: Pneumatic tubeless
Size: 3.00-10"
Tyre pressure: 2.25 bar / 225 kPa / 32.5
PSI

LIGHTS

Low beam headlight: LED (integrated
with lamp)
High beam headlight: LED (integrated
with lamp)
Position lights: LED (integrated with
lamp)
Tail lights: LED (integrated with lamp)
Front and rear signal lights: P21/5 W
LED / R10W 12V
Brake light: P21/5 W LED
Hazard lights: P21/5 W LED / R10W 12V

FEATURES

Horn
Rearview mirrors
Steering wheel lock
Parking brake
Electric LED display
USB Port
Stick holder
Alarm
Remote control
Anti-tipping safety wheels



sales@veleco.pl



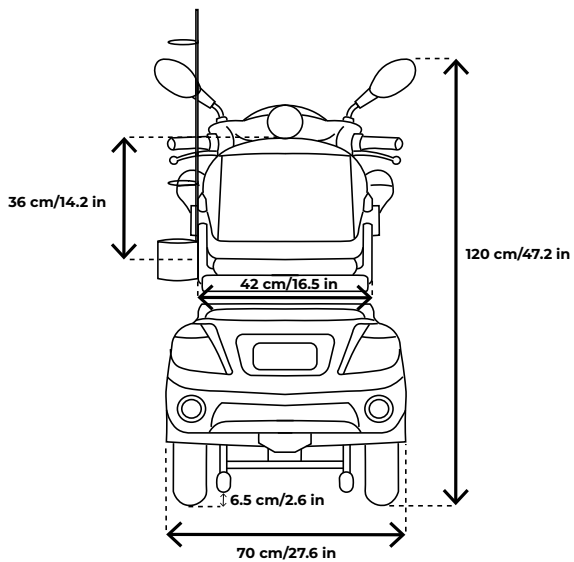
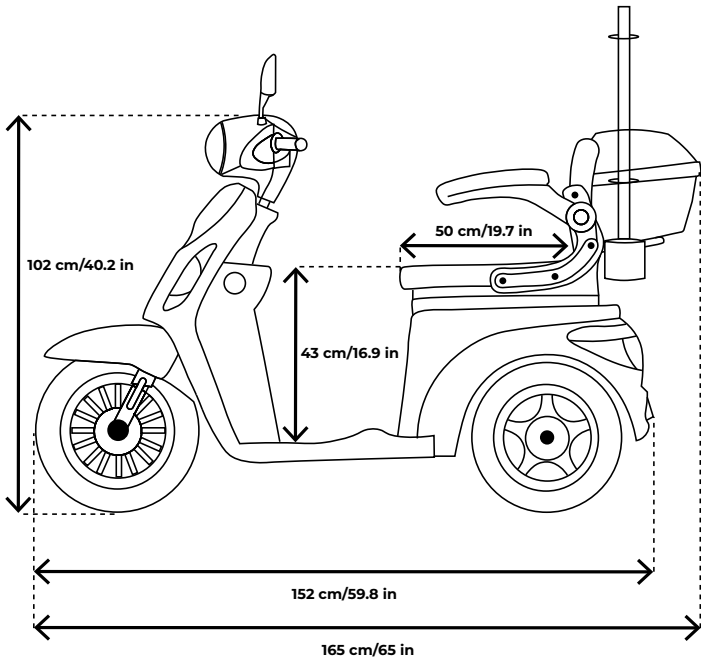
+48 34 35 80 44



veleco.eu

veleco
Luxury Medical Devices

DRACO

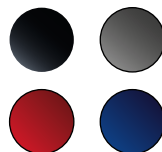




FASTER



available colours:



Model **FASTER** is a 4 wheel mobility scooter that will definitely take you anywhere safely. With this awesome model, you can feel as secure as possible when driving outside on any kind of road. Four wheels on a very powerful suspension system and adjustable seat make any trip as comfortable as possible. This model is an especially good choice for first time electric mobility scooter users that lack full confidence when driving.

The scooter comes **assembled and ready to go!** 

SPECIFICATIONS

OVERVIEW

Max user weight: 160 kg / 25.2 st
Scooter weight: 116 kg / 18.3 st (w/
Lead-Acid battery) / 100 kg / 15.7 st (w/
Lithium-Ion battery)
Hill climbing ability: 17°
Maximum range on single charge: 45-
60 km / 28-37.3 mi
Speed of response: Low
Maximum speed: 8 mph / 12 km/h
Acceleration system: Right-hand sco-
oter throttle
Seat adjustment: Yes
Suspension: Full
Compliant with DVLA requirements: Yes
Scooter class: Class-3
Vehicle autonomy: Level 0
Optimal air humidity for storage and
use: 30%
Working temperature of electronic
parts: -10 °C to +40 °C
Turning radius: 220 cm / 86.6"

MOTOR

Power: 1000 W
Voltage: 60 V

BATTERY

Type: Lead-Acid (can be upgraded to
Lithium-Ion)
Capacity: 20 Ah
Voltage: 60 V
Life cycle: 600 full charges
Charge time: ≈8 h

BRAKES

Front: Hydraulic disc
Rear: Drum
Magnetic brake: No

WHEELS

Amount: 4
Type of tyres: Pneumatic tubeless
Size: F 3.00-8" / R 3.00-10"
Tyre pressure: 2.25 bar / 225 kPa / 32.5
PSI

LIGHTS

Low beam headlight: LED (integrated
with lamp)
High beam headlight: LED (integrated
with lamp)
Position lights: LED (integrated with
lamp)
Tail lights: LED (integrated with lamp)
Front and rear signal lights: P21/5 W
LED / R10W 12V
Brake light: P21/5 W LED
Hazard lights: P21/5 W LED / R10W 12V

FEATURES

Horn
Rearview mirrors
Steering wheel lock
Parking brake
Electric LED display
USB Port
Alarm
Remote control



sales@veleco.pl



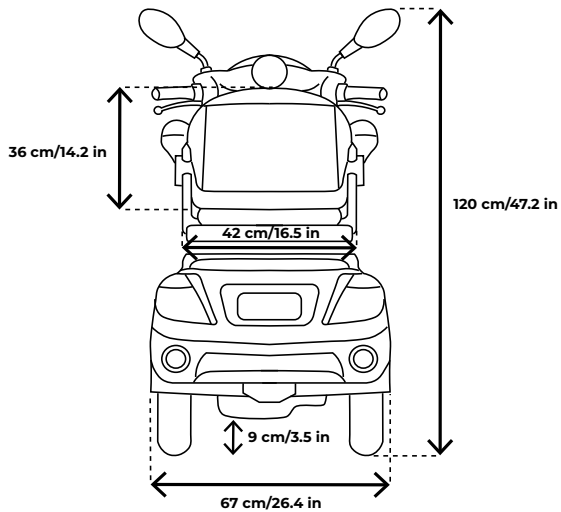
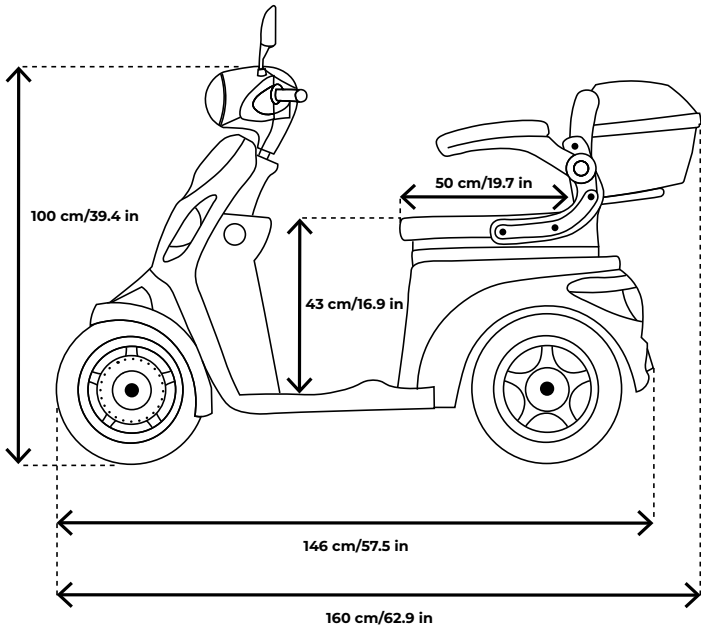
+48 34 35 80 44



veleco.eu

veleco
Luxury Medical Devices

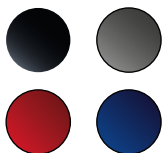
FASTER





FASTER +ROOF

available colours:



If you have ever felt too hot while enjoying the outdoors, then **FASTER** mobility scooter with roof is just what you need. With a perfect canopy, it will shield you from the heat, and it will make every ride much more pleasant. This model has been especially welcome by all those who love playing golf. Four wheel stability provide great support and the weighted roof keeps the vehicle to the ground while not impacting its other abilities.

The scooter comes **assembled and ready to go!** 

SPECIFICATIONS

OVERVIEW

Max user weight: 160 kg / 25.2 st
Scooter weight: 133 kg / 20.9 st (w/
Lead-Acid battery) / 117 kg / 18.4 st (w/
Lithium-Ion battery)
Hill climbing ability: 17°
Maximum range on single charge: 45-
60 km / 28-37.3 mi
Speed of response: Low
Maximum speed: 8 mph / 12 km/h
Acceleration system: Right-hand sco-
oter throttle
Seat adjustment: Yes
Suspension: Full
Compliant with DVLA requirements: Yes
Scooter class: Class-3
Vehicle autonomy: Level 0
Optimal air humidity for storage and
use: 30%
Working temperature of electronic
parts: -10 °C to +40 °C
Turning radius: 220 cm / 86.6"

MOTOR

Power: 1000 W
Voltage: 60 V

BATTERY

Type: Lead-Acid (can be upgraded to
Lithium-Ion)
Capacity: 20 Ah
Voltage: 60 V
Life cycle: 600 full charges
Charge time: ≈8 h

BRAKES

Front: Hydraulic disc
Rear: Drum
Magnetic brake: No

WHEELS

Amount: 4
Type of tyres: Pneumatic tubeless
Size: F 3.00-8" / R 3.00-10"
Tyre pressure: 2.25 bar / 225 kPa / 32.5
PSI

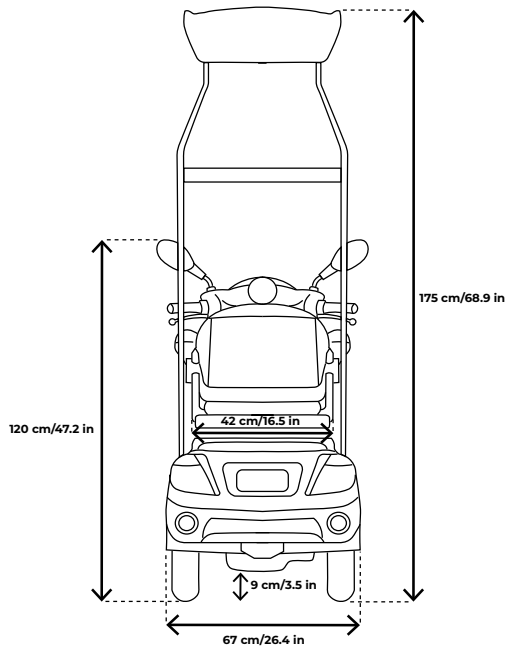
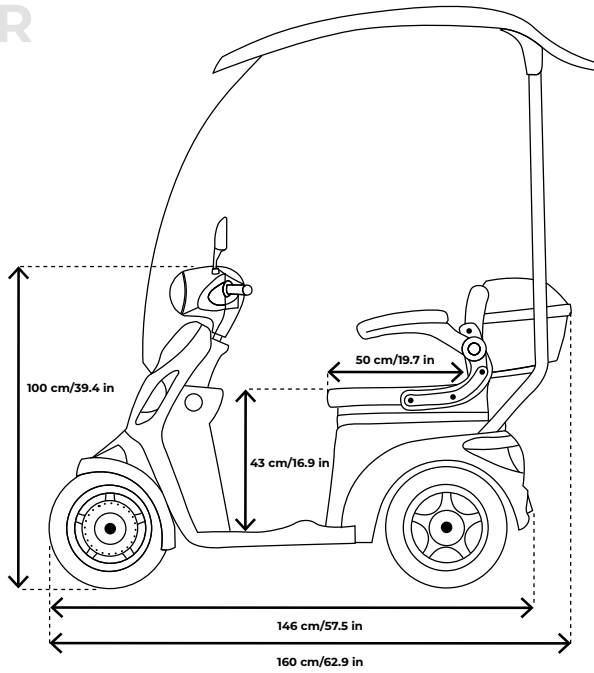
LIGHTS

Low beam headlight: LED (integrated
with lamp)
High beam headlight: LED (integrated
with lamp)
Position lights: LED (integrated with
lamp)
Tail lights: LED (integrated with lamp)
Front and rear signal lights: P21/5 W
LED / R10W 12V
Brake light: P21/5 W LED
Hazard lights: P21/5 W LED / R10W 12V

FEATURES

Horn
Rearview mirrors
Steering wheel lock
Parking brake
Electric LED display
USB Port
Roof and windshield
Alarm
Remote control

FASTER +ROOF





ZT15



available colours:



Produced by renowned manufacturer Veleco company, **ZT15** mobility scooter is known for its high quality. Assembled in Poland and delivered fully ready-to-drive, it is a perfect solution for everyone who has to deal with daily mobility problems of any kind. Being one of the first models manufactured by the company, it is a great vehicle for first time electric mobility scooter users.

The scooter comes **assembled and ready to go!** 

SPECIFICATIONS

OVERVIEW

Max user weight: 160 kg / 25.2 st
Scooter weight: 104 kg / 16.4 st
Hill climbing ability: 17°
Maximum range on single charge: 45-60 km / 28-37.3 mi
Speed of response: Medium
Maximum speed: 8 mph / 12 km/h
Acceleration system: Right-hand scooter throttle
Seat adjustment: Yes
Suspension: Full
Compliant with DVLA requirements: Yes
Scooter class: Class-3
Vehicle autonomy: Level 0
Optimal air humidity for storage and use: 30%
Working temperature of electronic parts: -10 °C to +40 °C
Turning radius: 190 cm / 74.8"

MOTOR

Power: 900 W
Voltage: 48 V

BATTERY

Type: Lead-Acid
Capacity: 20 Ah
Voltage: 48 V
Life cycle: 600 full charges
Charge time: ≈8 h

BRAKES

Front: Drum
Rear: Drum
Magnetic brake: Yes

WHEELS

Amount: 3
Type of tyres: Pneumatic tubeless
Size: 3.00-10"
Tyre pressure: 2.25 bar / 225 kPa / 32.5 PSI

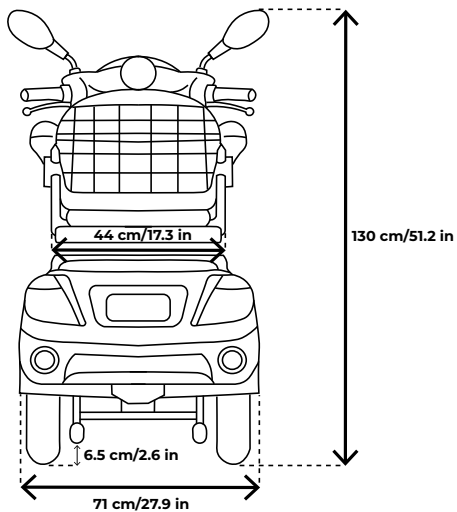
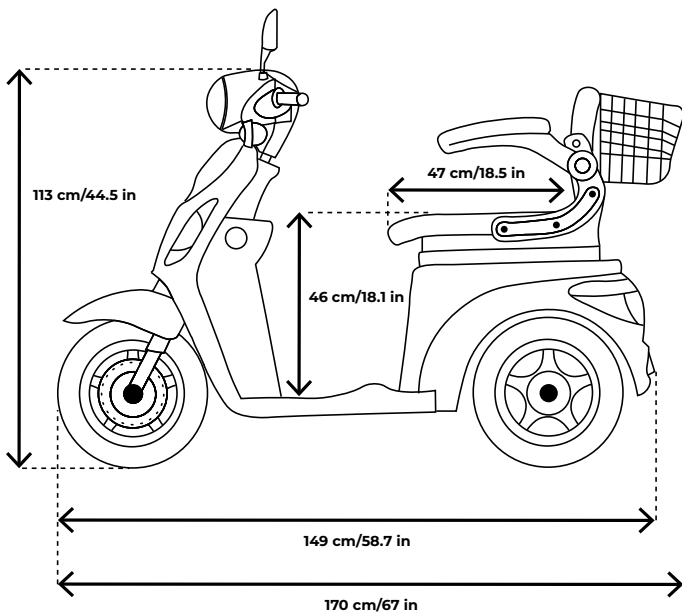
LIGHTS

Low beam headlight: S2
High beam headlight: S2
Position lights: W5W
Front and rear signal lights: P21/5 W LED / R10W 12V
Brake light: P21/5 W LED
Hazard lights: P21/5 W LED / R10W 12V
Registration plate light: W5W

FEATURES

Horn
Rearview mirrors
Steering wheel lock
Electric LED display
Alarm
Remote control
Anti-tipping safety wheels

ZT15





ZT16

available colours:



Speed through the pavement with trike mobility scooter **ZT16**. With just a gentle twist of your grip, you can ride around your area, visit favourite shops and those far away parks that you long for. Save your time by driving securely on **ZT16** for all of your daily mobility needs. The model **ZT16** comes with a detachable basket, which makes it perfect as a simple shopping vehicle. It is a perfect choice for someone without driving licence who wants to save time when visiting far away shops.

The scooter comes **assembled and ready to go!** 

SPECIFICATIONS

OVERVIEW

Max user weight: 120 kg / 18.9 st
Scooter weight: 51 kg / 8 st
Hill climbing ability: 17°
Maximum range on single charge: 25-30 km / 15.5-18.6 mi
Speed of response: High
Maximum speed: 8 mph / 12 km/h
Acceleration system: Right-hand scooter throttle
Seat adjustment: Yes
Suspension: No
Compliant with DVLA requirements: No
Scooter class: Class-2
Vehicle autonomy: Level 0
Optimal air humidity for storage and use: 30%
Working temperature of electronic parts: -10 °C to +40 °C
Turning radius: 90 cm / 35.4"

MOTOR

Power: 750 W
Voltage: 48 V

BATTERY

Type: Lead-Acid
Capacity: 20 Ah
Voltage: 48 V
Life cycle: 600 full charges
Charge time: ≈8 h

BRAKES

Front: Drum
Rear: Manual disc
Magnetic brake: No

WHEELS

Amount: 3
Type of tyres: Inflatable tyre
Size: F 2.5-16" R 2.25-12.5"
Tyre pressure: 2.5 bar / 250 kPa / 36 PSI

LIGHTS

Low beam headlight: LED (integrated with lamp)
Brake light: LED (integrated with lamp)

FEATURES

Horn
Parking brake
Electric LED display
Adjustable and foldable handlebar
Adjustable and removable seat



sales@veleco.pl



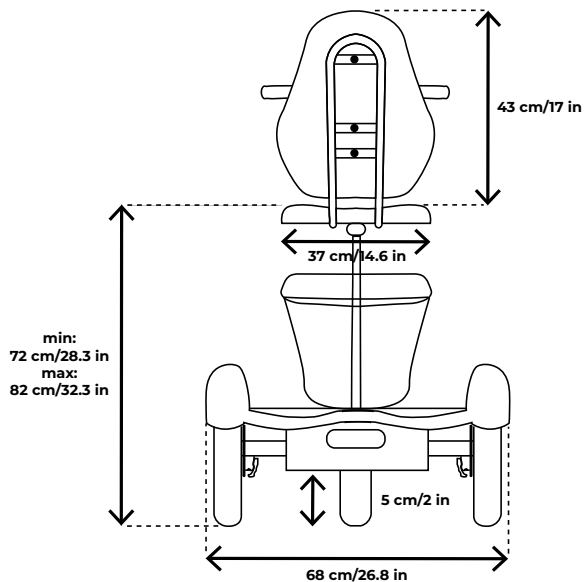
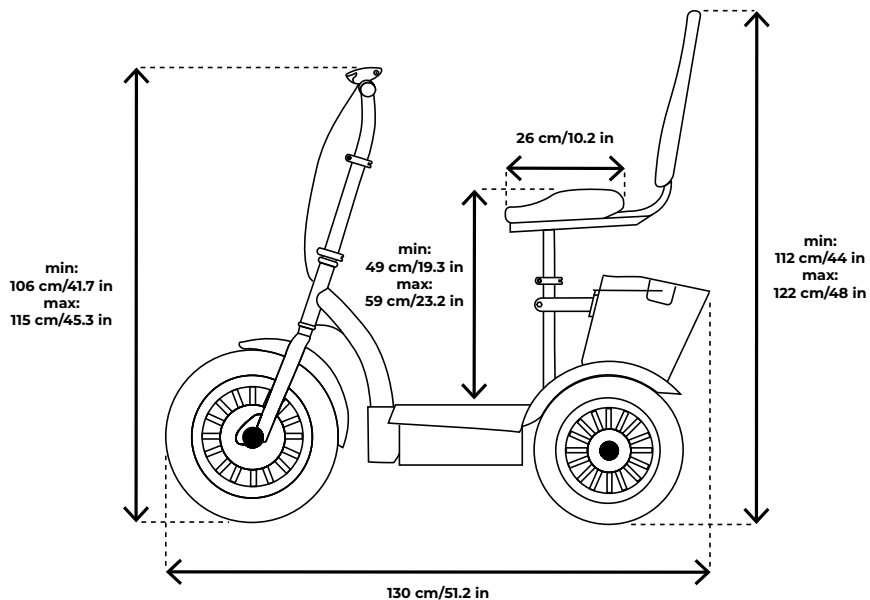
+48 34 35 80 44



veleco.eu

veleco
Luxury Medical Devices

ZT16





ZT63



available colours:



Our **ZT63** retro Vespa electric scooter is a perfect choice for any customer who fancies the look straight from early and middle 1900s. The Vespa style mobility scooters are a perfect balance between old body and brand-new heart of the vehicle. This model is favoured by everyone who prefers to have their mobility vehicle not look like a mobility aid. The vehicle was designed in a way that makes it possible for two people to get on it.

The scooter comes **assembled and ready to go!** 

SPECIFICATIONS

OVERVIEW

Max user weight: 199 kg / 31.3 st
Scooter weight: 94 kg / 14.8 st
Hill climbing ability: 17°
Maximum range on single charge: 40-60 km / 24.9-37.3 mi
Speed of response: Medium
Maximum speed: 8 mph / 12 km/h
Acceleration system: Right-hand scooter throttle
Seat adjustment: No
Suspension: Full
Compliant with DVLA requirements: Yes
Scooter class: Class-3
Vehicle autonomy: Level 0
Optimal air humidity for storage and use: 30%
Working temperature of electronic parts: -10 °C to +40 °C
Turning radius: 195 cm / 76.8"

MOTOR

Power: 650 W
Voltage: 60 V

BATTERY

Type: Lead-Acid
Capacity: 20 Ah
Voltage: 60 V
Life cycle: 600 full charges
Charge time: ≈8 h

BRAKES

Front: Hydraulic disc
Rear: Drum
Magnetic brake: No

WHEELS

Amount: 3
Type of tyres: Pneumatic tubeless
Size: 3.00-10"
Tyre pressure: 2.25 bar / 225 kPa / 32.5 PSI

LIGHTS

Low beam headlight: S2
High beam headlight: S2
Position lights: W5W
Tail lights: P21/5 W
Daytime running lights: S2
Signal lights: R10W 12V
Brake light: P21/5 W
Hazard lights: R10W 12V

FEATURES

Horn
Rearview mirrors
Steering wheel lock
Parking brake
Electric LED display
Alarm
Remote control



sales@veleco.pl



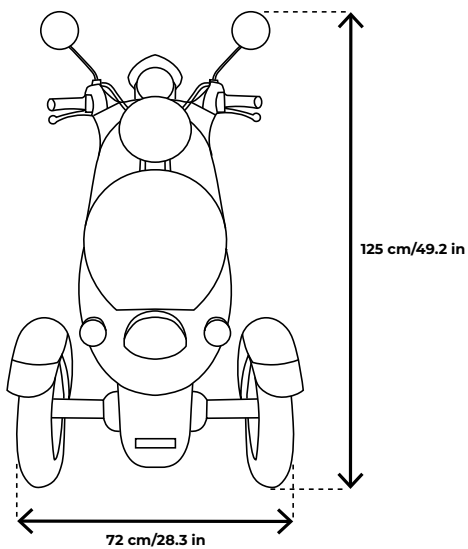
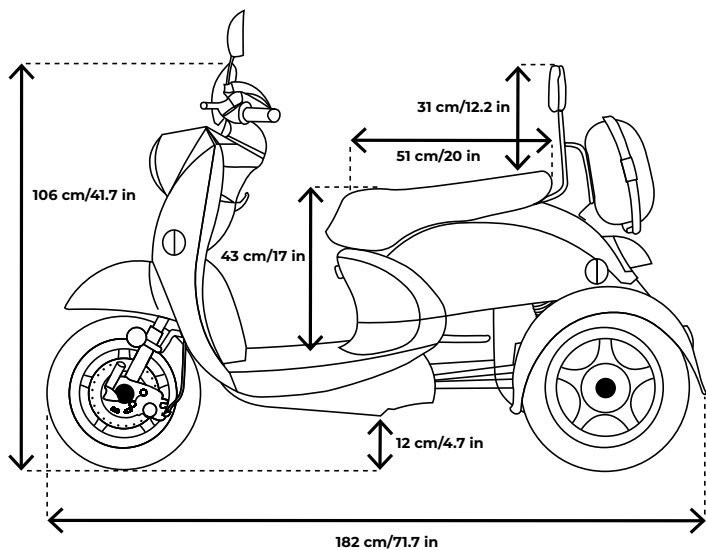
+48 34 35 80 44



veleco.eu

veleco
Luxury Medical Devices

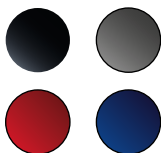
ZT63





GRAVIS

available colours:



4 Wheeled Mobility Scooter **GRAVIS** is our heavy-duty disability scooter, which can be used in any road conditions thanks to its great suspension system. On top of that it is equipped with modern LED lighting which provides a lot of safety in the night and are highly visible in any conditions. Model **GRAVIS** is a perfect solution to everyone who looks for full stability and a sense of security when driving a mobility scooter.

The scooter comes **assembled and ready to go!** 

SPECIFICATIONS

OVERVIEW

Max user weight: 160 kg / 25.2 st
Scooter weight: 125 kg / 19.7 st
Hill climbing ability: 17°
Maximum range on single charge: 45-60 km / 28-37.3 mi
Speed of response: Low
Maximum speed: 8 mph / 12 km/h
Acceleration system: Right-hand scooter throttle
Seat adjustment: Yes
Suspension: Full
Compliant with DVLA requirements: Yes
Scooter class: Class-3
Vehicle autonomy: Level 0
Optimal air humidity for storage and use: 30%
Working temperature of electronic parts: -10 °C to +40 °C
Turning radius: 220 cm / 86.6"

MOTOR

Power: 1000 W
Voltage: 60 V

BATTERY

Type: Lead-Acid
Capacity: 20 Ah
Voltage: 60 V
Life cycle: 600 full charges
Charge time: ≈8 h

BRAKES

Front: Hydraulic disc
Rear: Drum
Magnetic brake: No

WHEELS

Amount: 4
Type of tyres: Pneumatic tubeless
Size: F 3.00-8" / R 3.00-10"
Tyre pressure: 2.25 bar / 225 kPa / 32.5 PSI

LIGHTS

Low beam headlight: LED (integrated with lamp)
High beam headlight: LED (integrated with lamp)
Tail lights: LED (integrated with lamp)
Daytime running lights: LED (integrated with lamp)
Signal lights: LED (integrated with lamp)
Brake light: LED (integrated with lamp)
Hazard lights: LED (integrated with lamp)

FEATURES

Horn
Rearview mirrors
Steering wheel lock
Parking brake
Electric LED display
USB Port
Alarm
Remote control
Comfortable seat
Anti-tipping safety wheels



sales@veleco.pl



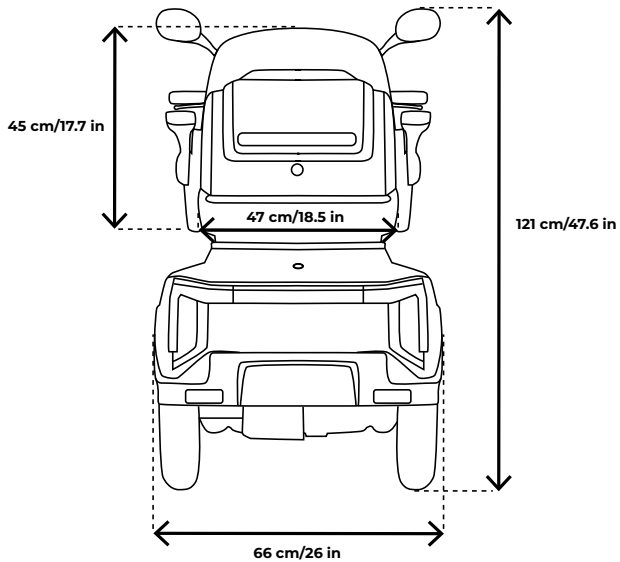
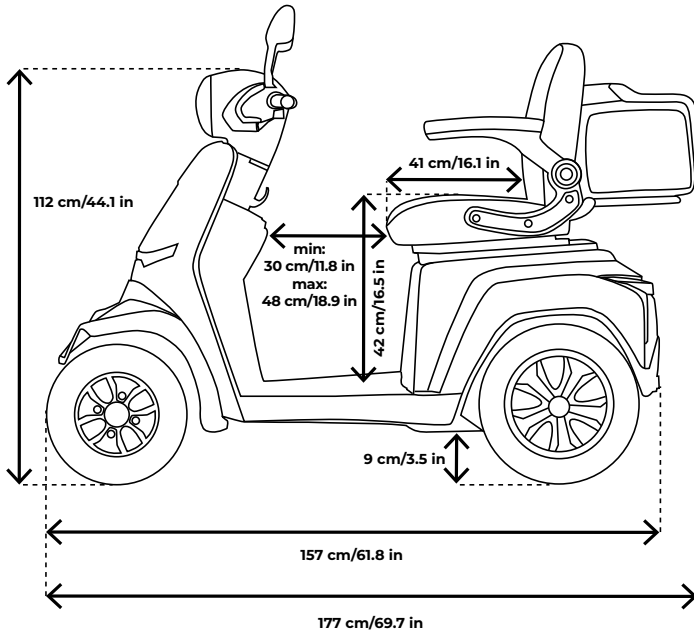
+48 34 35 80 44



veleco.eu

veleco
Luxury Medical Devices

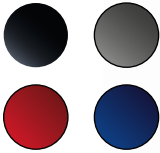
GRAVIS





GRAVIS +ROOF

available colours:



Here's what everybody has been waiting for. Our top-selling heavy-duty mobility scooter **GRAVIS** is finally available with a hardtop roof which will shield you from the sun and non-intensive rainfall. Clear front windshield provides an excellent vision with wind protection for the greatest riding experience. Feel the stability and comfort of this 4-wheeler and don't worry about weather conditions while enjoying your rides.

The scooter comes **assembled and ready to go!** 

SPECIFICATIONS

OVERVIEW

Max user weight: 160 kg / 25.2 st
Scooter weight: 142 kg / 22.4 st
Hill climbing ability: 17°
Maximum range on single charge: 45-60 km / 28-37.3 mi
Speed of response: Low
Maximum speed: 8 mph / 12 km/h
Acceleration system: Right-hand scooter throttle
Seat adjustment: Yes
Suspension: Full
Compliant with DVLA requirements: Yes
Scooter class: Class-3
Vehicle autonomy: Level 0
Optimal air humidity for storage and use: 30%
Working temperature of electronic parts: -10 °C to +40 °C
Turning radius: 220 cm / 86.6"

MOTOR

Power: 1000 W
Voltage: 60 V

BATTERY

Type: Lead-Acid
Capacity: 20 Ah
Voltage: 60 V
Life cycle: 600 full charges
Charge time: ≈8 h

BRAKES

Front: Hydraulic disc
Rear: Drum
Magnetic brake: No

WHEELS

Amount: 4
Type of tyres: Pneumatic tubeless
Size: F 3.00-8" / R 3.00-10"
Tyre pressure: 2.25 bar / 225 kPa / 32.5 PSI

LIGHTS

Low beam headlight: LED (integrated with lamp)
High beam headlight: LED (integrated with lamp)
Tail lights: LED (integrated with lamp)
Daytime running lights: LED (integrated with lamp)
Signal lights: LED (integrated with lamp)
Brake light: LED (integrated with lamp)
Hazard lights: LED (integrated with lamp)

FEATURES

Roof and windshield
Horn
Rearview mirrors
Steering wheel lock
Parking brake
Electric LED display
USB Port
Alarm
Remote control
Comfortable seat
Anti-tipping safety wheels



sales@veleco.pl



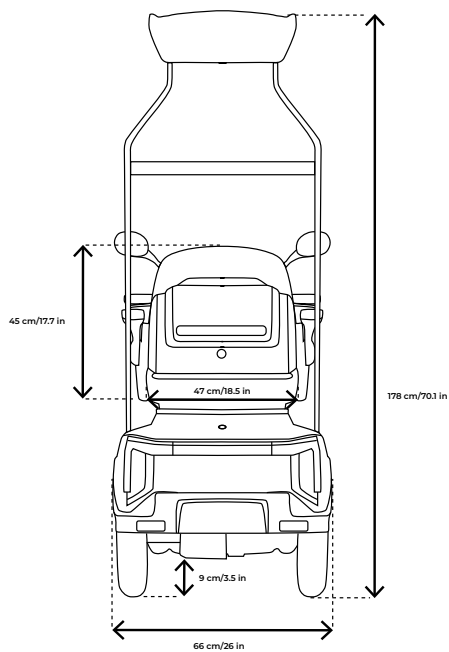
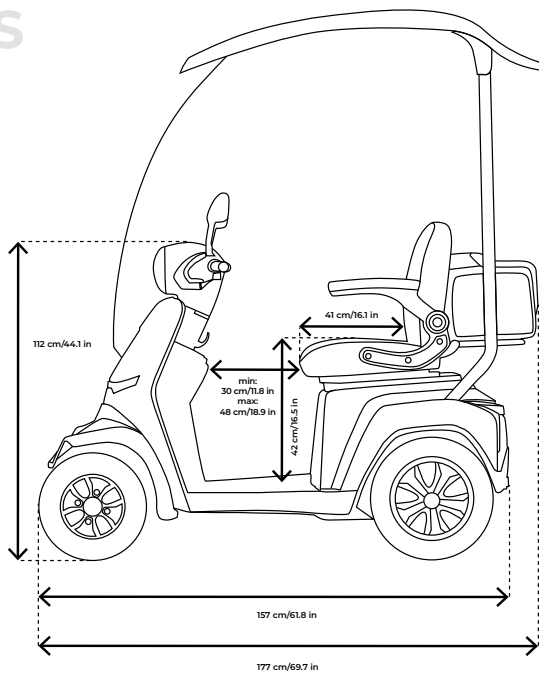
+48 34 35 80 44



veleco.eu

veleco
Luxury Medical Devices

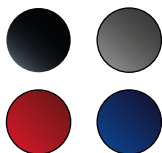
GRAVIS + ROOF





TURRIS

available colours:



TURRIS is a 3-wheeled mobility scooter equipped with the latest technology; full LED lighting, modern display and roomy lockable trunk. Its adjustable, full seat with folding armrests provide a comfortable riding position. The entire seat can be adjusted to suit your needs. **TURRIS** is more stable and safer than two-wheeled vehicles. Small rear stabilizer wheels provide additional safety on slopes.

The scooter comes **assembled and ready to go!** 

SPECIFICATIONS

OVERVIEW

Max user weight: 160 kg / 25.2 st
Scooter weight: 103 kg / 16.2 st (w/
Lead-Acid battery), 88 kg / 13.9 st (w/
Lithium-Ion battery)
Hill climbing ability: 17°
Maximum range on single charge: 45-
50 km / 28-31.1 mi
Speed of response: Low
Maximum speed: 8 mph / 12 km/h
Acceleration system: Acceleration
button
Seat adjustment: Yes
Suspension: Full
Compliant with DVLA requirements: Yes
Scooter class: Class-3
Vehicle autonomy: Level 0
Optimal air humidity for storage and
use: 30%
Working temperature of electronic
parts: -10 °C to +40 °C
Turning radius: 165 cm / 65"

MOTOR

Power: 800 W
Voltage: 48 V

BATTERY

Type: Lead-Acid (can be upgraded to
Lithium-Ion)
Capacity: 20 Ah
Voltage: 48 V
Life cycle: 600 full charges
Charge time: ≈8 h

BRAKES

Front: Drum
Rear: Drum
Magnetic brake: Yes

WHEELS

Amount: 3
Type of tyres: Pneumatic tubeless
Size: 3.00-10"
Tyre pressure: 2.25 bar / 225 kPa / 32.5
PSI

LIGHTS

Low beam headlight: LED (integrated
with lamp)
High beam headlight: LED (integrated
with lamp)
Tail lights: LED (integrated with lamp)
Daytime running lights: LED (integrated
with lamp)
Signal lights: LED (integrated with
lamp)
Brake light: LED (integrated with lamp)
Hazard lights: LED (integrated with
lamp)

FEATURES

Horn
Rearview mirrors
Steering wheel lock
Parking brake
Electric LED display
USB Port
Alarm
Remote control
Comfortable seat
Anti-tipping safety wheels



sales@veleco.pl



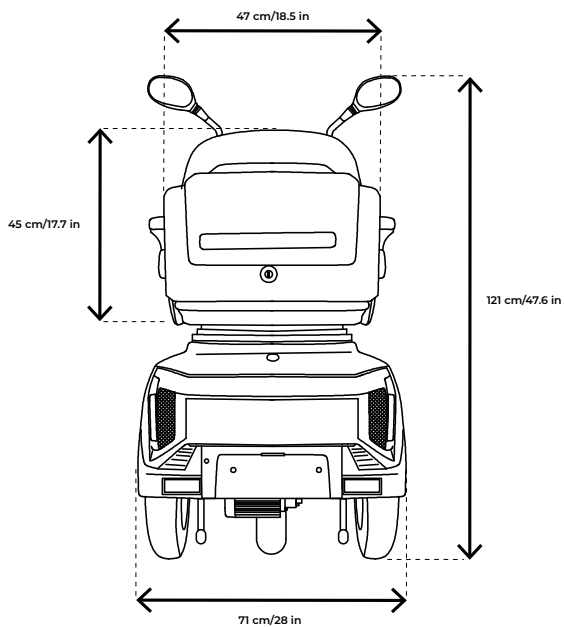
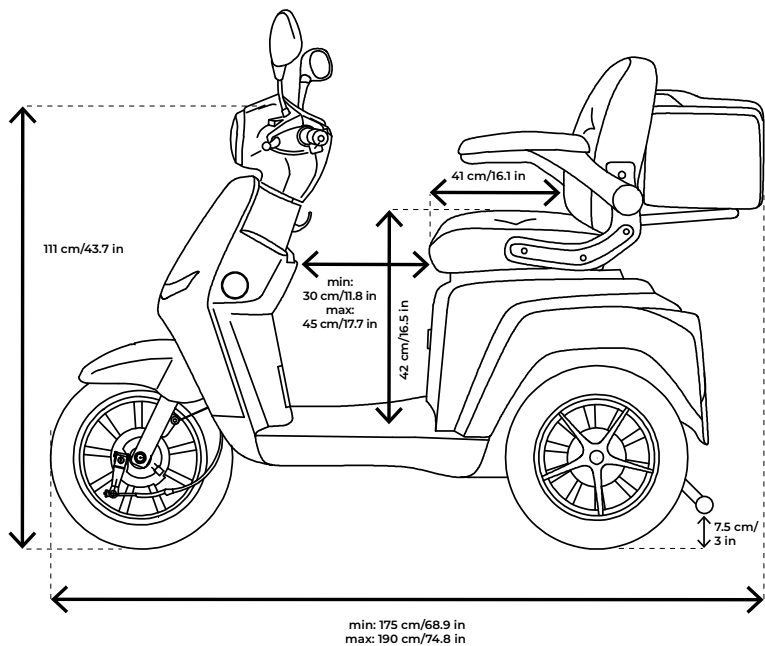
+48 34 35 80 44



veleco.eu

veleco
Luxury Medical Devices

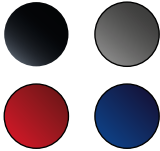
TURRIS





TURRIS +ROOF

available colours:



TURRIS with canopy is the only trike available with roof and windshield. With its full LED lights **TURRIS** is the perfect solution for those seeking a safe and comfortable ride. **TURRIS** is equipped with the latest technology; a modern display for easy navigation and roomy lockable compartment. The roof and windshield provide additional protection, ensuring you stay dry while riding when it's drizzling.

The scooter comes **assembled and ready to go!** 

SPECIFICATIONS

OVERVIEW

Max user weight: 160 kg / 25.2 st
Scooter weight: 123 kg / 19.4 st (w/ Lead-Acid battery), 108 kg / 17 st (w/ Lithium-Ion battery)
Hill climbing ability: 17°
Maximum range on single charge: 45-50 km / 28-31.1 mi
Speed of response: Low
Maximum speed: 8 mph / 12 km/h
Acceleration system: Acceleration button
Seat adjustment: Yes
Suspension: Full
Compliant with DVLA requirements: Yes
Scooter class: Class-3
Vehicle autonomy: Level 0
Optimal air humidity for storage and use: 30%
Working temperature of electronic parts: -10 °C to +40 °C
Turning radius: 165 cm / 65"

MOTOR

Power: 800 W
Voltage: 48 V

BATTERY

Type: Lead-Acid (can be upgraded to Lithium-Ion)
Capacity: 20 Ah
Voltage: 48 V
Life cycle: 600 full charges
Charge time: ≈8 h

BRAKES

Front: Drum
Rear: Drum
Magnetic brake: Yes

WHEELS

Amount: 3
Type of tyres: Pneumatic tubeless
Size: 3.00-10"
Tyre pressure: 2.25 bar / 225 kPa / 32.5 PSI

LIGHTS

Low beam headlight: LED (integrated with lamp)
High beam headlight: LED (integrated with lamp)
Tail lights: LED (integrated with lamp)
Daytime running lights: LED (integrated with lamp)
Signal lights: LED (integrated with lamp)
Brake light: LED (integrated with lamp)
Hazard lights: LED (integrated with lamp)

FEATURES

Roof and windshield
Horn
Rearview mirrors
Steering wheel lock
Parking brake
Electric LED display
USB Port
Alarm
Remote control
Comfortable seat
Anti-tipping safety wheels



sales@veleco.pl



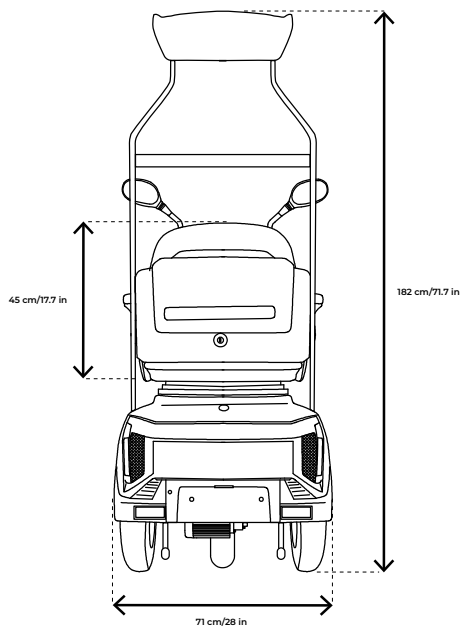
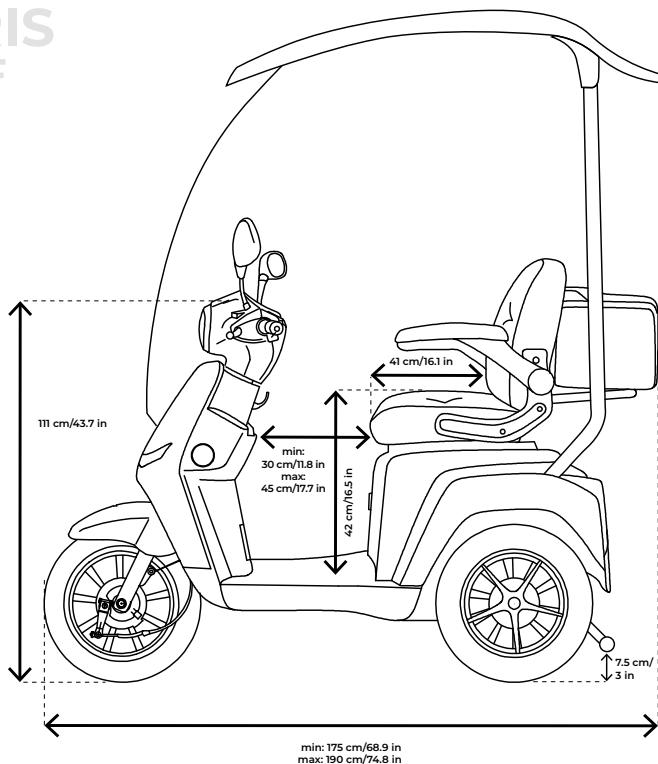
+48 34 35 80 44



veleco.eu

veleco
Luxury Medical Devices

TURRIS +ROOF





SAGITTA



available colours:



Model **SAGITTA** is an electric moped that is as fast as an arrow. With the unique Multi-functional tilting system it is able to tackle any kind of difficult terrain. Equipped with SPORT button, this vehicle can accelerate much faster by pumping more power into a powerful 2000 W motor. To meet all customer expectations, model **SAGITTA** is able to carry two people on its lightweight build being only 120 kg.

The scooter comes **assembled and ready to go!** 

SPECIFICATIONS

OVERVIEW

Max number of riders: 2
Max user weight: 185 kg / 29.1 st
Vehicle weight: 120 kg / 18.9 st
Hill climbing ability: 22°
Maximum range on single charge: 60-75 km / 37.3-46.6 mi
Speed of response: High
Maximum speed: 28 mph / 45 km/h
Acceleration system: Right-hand vehicle throttle
Seat adjustment: No
Suspension: Full
Compliant with DVLA requirements: Yes
Vehicle autonomy: Level 0
Optimal air humidity for storage and use: 30%
Working temperature of electronic parts: -10 °C to +40 °C
Turning radius: 264 cm / 103.9"

MOTOR

Power: 2000 W
Voltage: 72 V

BATTERY

Type: Lithium-Ion
Voltage: 72 V
Life cycle: 600 full charges
Charge time: ≈6 h

BRAKES

Front: Hydraulic disc
Rear: Hydraulic disc
Magnetic brake: No

WHEELS

Amount: 3
Type of tyres: Pneumatic tubeless
Size: F 100/60-12x2, R 120/70-12
Tyre pressure: 3.0 bar / 43.5 PSI
Ground clearance: 13 cm / 5.1"

LIGHTS

Low beam headlight: LED (integrated with lamp)
High beam headlight: LED (integrated with lamp)
Tail lights: LED (integrated with lamp)
Daytime running lights: LED (integrated with lamp)
Position lights: LED (integrated with lamp)
Signal lights: LED (integrated with lamp)
Brake light: LED (integrated with lamp)
Hazard lights: LED (integrated with lamp)

FEATURES

Horn
Rearview mirrors
Steering wheel lock
Parking brake
LED display
Sport mode
Alarm
Remote control



sales@veleco.pl



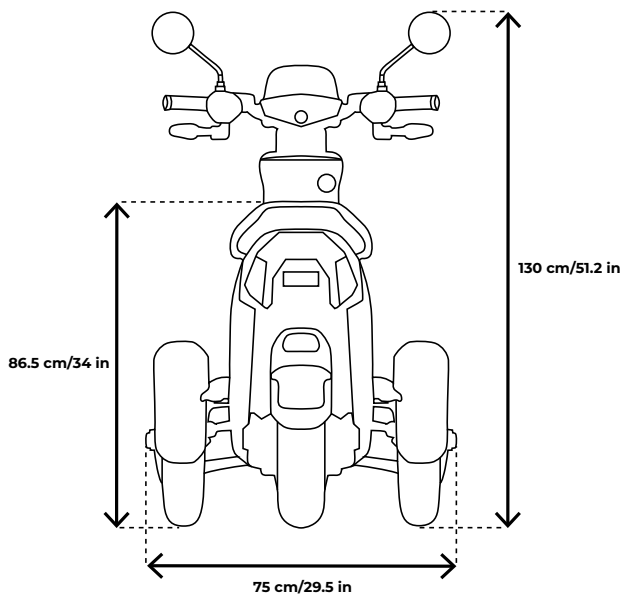
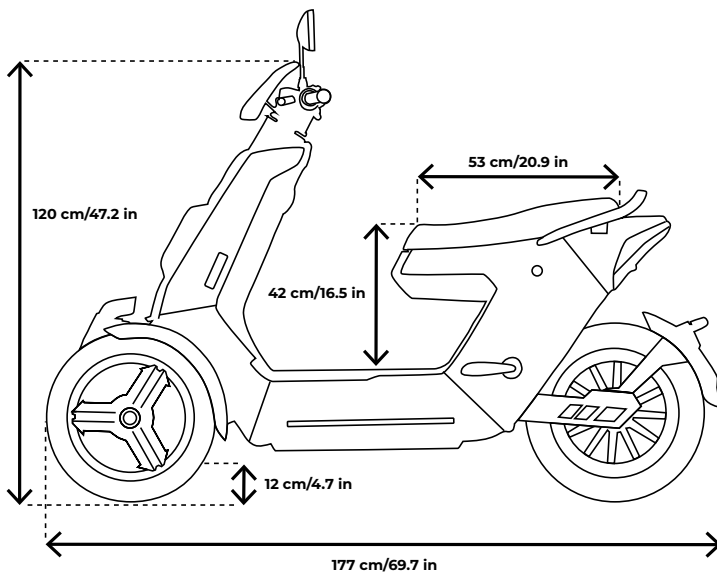
+48 34 35 80 44



veleco.eu

veleco
Luxury Medical Devices

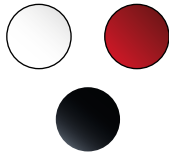
SAGITTA





ADVENA

available colours:



ADVENA fully enclosed electric moped comes with many new technologies that are top of the shelf, catering to all of customer needs. Traveling safely from home to any destination of their pick has never been so comfortable. With a high range of up to 51 mi (ca. 82 km) and fully adjustable seat for the user, it offers a perfectly comfortable ride for two people.

The scooter comes **assembled and ready to go!** 

SPECIFICATIONS

OVERVIEW

Max number of riders: 2
Max user weight: 500 kg / 78.3 st
Vehicle weight: 269 kg / 42.4 st
Hill climbing ability: 15°
Maximum range on single charge: 70-80 km / 43.5 -49.7 mi
Speed of response: Low
Maximum speed: 28 mph / 45 km/h
Acceleration system: Right-hand vehicle throttle
Seat adjustment: Yes
Suspension: Full
Compliant with DVLA requirements: Yes
Vehicle autonomy: Level 0
Optimal air humidity for storage and use: 30%
Working temperature of electronic parts: -10 °C to +40 °C

MOTOR

Power: 1500 W
Voltage: 60 V

BATTERY

Type: Lead-Acid
Capacity: 58 Ah
Voltage: 60 V
Life cycle: 600 full charges
Charge time: ≈8 h

BRAKES

Front: Hydraulic disc
Rear: Hydraulic disc
Magnetic brake: No

WHEELS

Amount: 3
Type of tyres: Pneumatic tubeless
Size: F 130/60-13 M/C, R 135/70-12
Tyre pressure: 2.25 bar / 225 kPa / 32.5 PSI

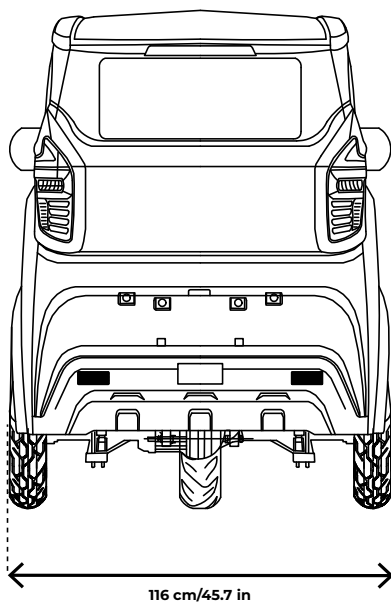
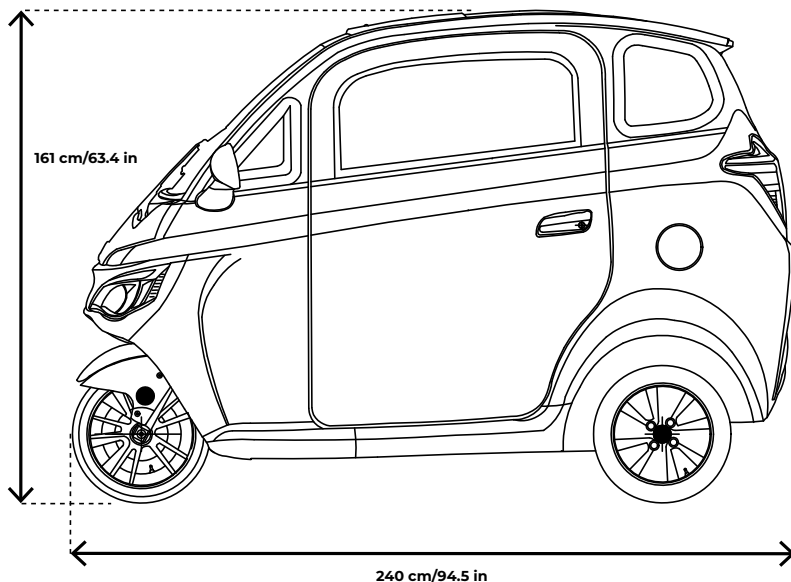
LIGHTS

Low beam headlight: LED (integrated with lamp)
High beam headlight: LED (integrated with lamp)
Tail lights: LED (integrated with lamp)
Daytime running lights: LED (integrated with lamp)
Signal lights: LED (integrated with lamp)
Brake light: LED (integrated with lamp)
Hazard lights: LED (integrated with lamp)
Central tail lights: W3W 12V (E13)
Mirror signal lights: LED (integrated with lamp)
Registration plate light: LED

FEATURES

Horn
Rearview mirrors
Hand brake
USB Port
Reverse camera
Alarm
MP3/MP4 player
Remote control
Backseat
Bluetooth connection
Sunroof

ADVENA





sales@veleco.pl



+48 34 35 80 44



veleco.eu

veleco
Luxury Medical Devices

COSMO



available colours:



The ultimate solution for people who can't use a mobility scooter. **COSMO** is an electric wheelchair, easy to operate with as little as one finger. The joystick will respond to you immediately! Take back your independence and ride this one directly into your favourite shop or office you need to visit. **COSMO** is simple to fold, store and transport. It's the most affordable in its class – **COSMO** will expand your galaxy in an instant!

SPECIFICATIONS

OVERVIEW

Max user weight: 100 kg / 15.7 st
Wheelchair weight: 30 kg / 4.72 st
Hill climbing ability: 6°
Maximum range on single charge: 15 km / 9.3 mi
Speed of response: Medium
Maximum speed: 4 mph / 6 km/h
Acceleration system: Joystick
Seat adjustment: No
Vehicle class: Class A
Optimal air humidity for storage and use: 30%
Working temperature of electronic parts: 0°C to +40 °C
Turning radius: 100 cm / 39.4"

MOTOR

Power: 250 W*2
Voltage: 24 V*2

BATTERY

Type: Lithium-Ion
Capacity: 13 Ah
Voltage: 24 V
Charge time: ≈5-8 h

BRAKES

Rear: Electromagnetic
Magnetic brake: Yes

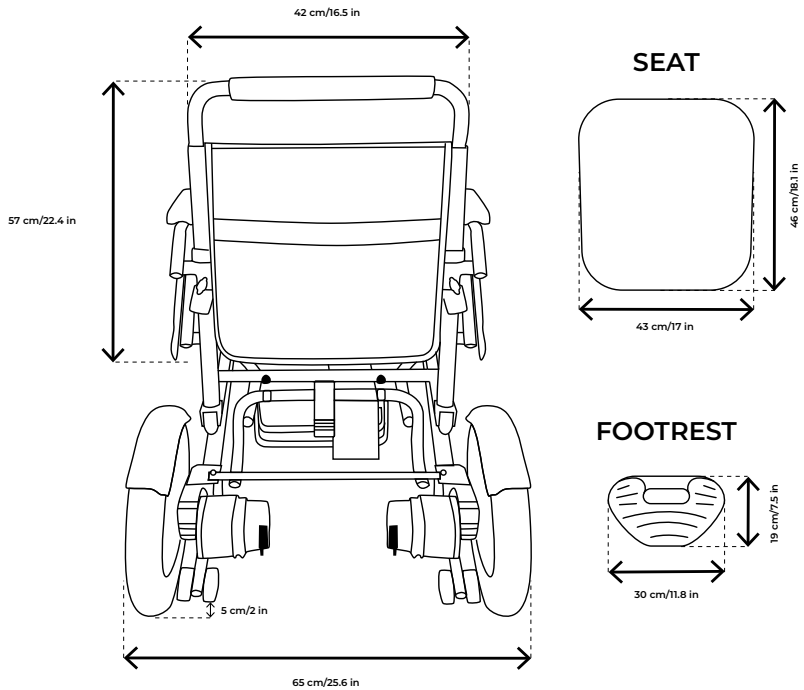
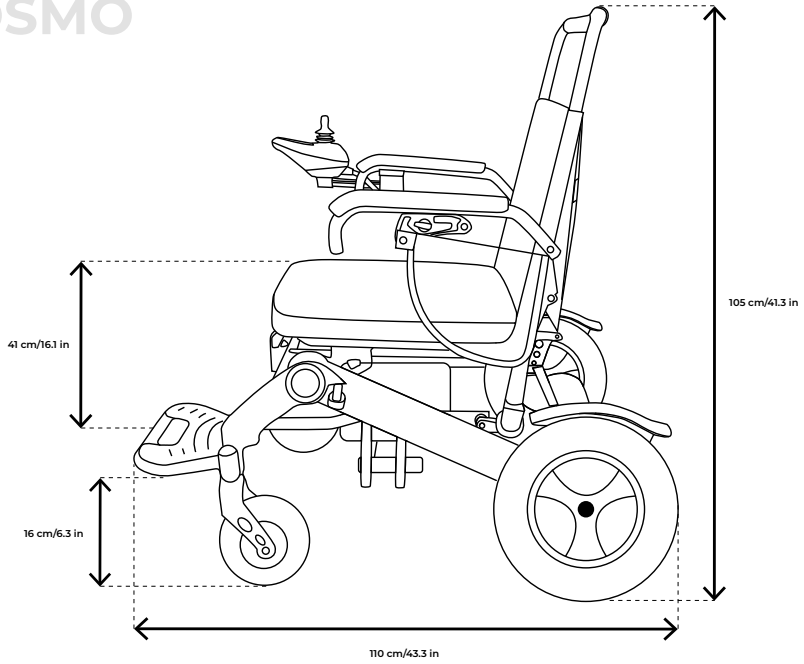
WHEELS

Amount: 4
Type of tyres: PU and pneumatic
Size: F 1.9-8", R 3.2-12"
Tyre pressure: 2.2 bar / 220 kPa / 31.9 PSI

FEATURES

Joystick
Liftable armrests
Anti-tipping safety wheels
Easy folding
Safety belt
Footrest
Side pockets
Backrest pocket

COSMO





sales@veleco.pl



+48 34 35 80 44



veleco.eu

veleco
Luxury Medical Devices

SPARE PARTS

You can order all the spare parts you need directly from our website: shop.veleco.eu



OUR AUTHORISED RESELLER NETWORK



More details available at veleco.eu/distributors/



veleco

Luxury Medical Devices